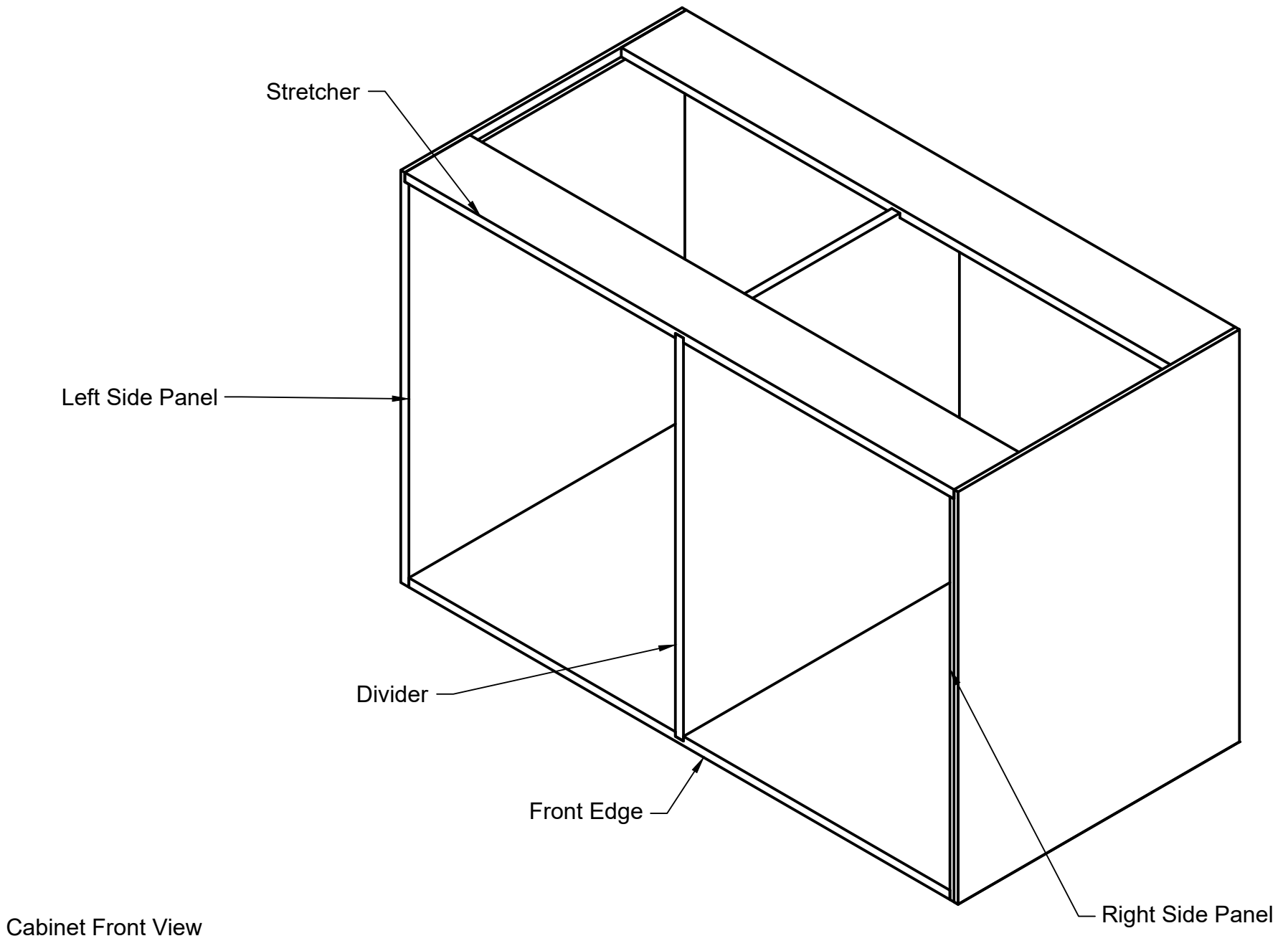
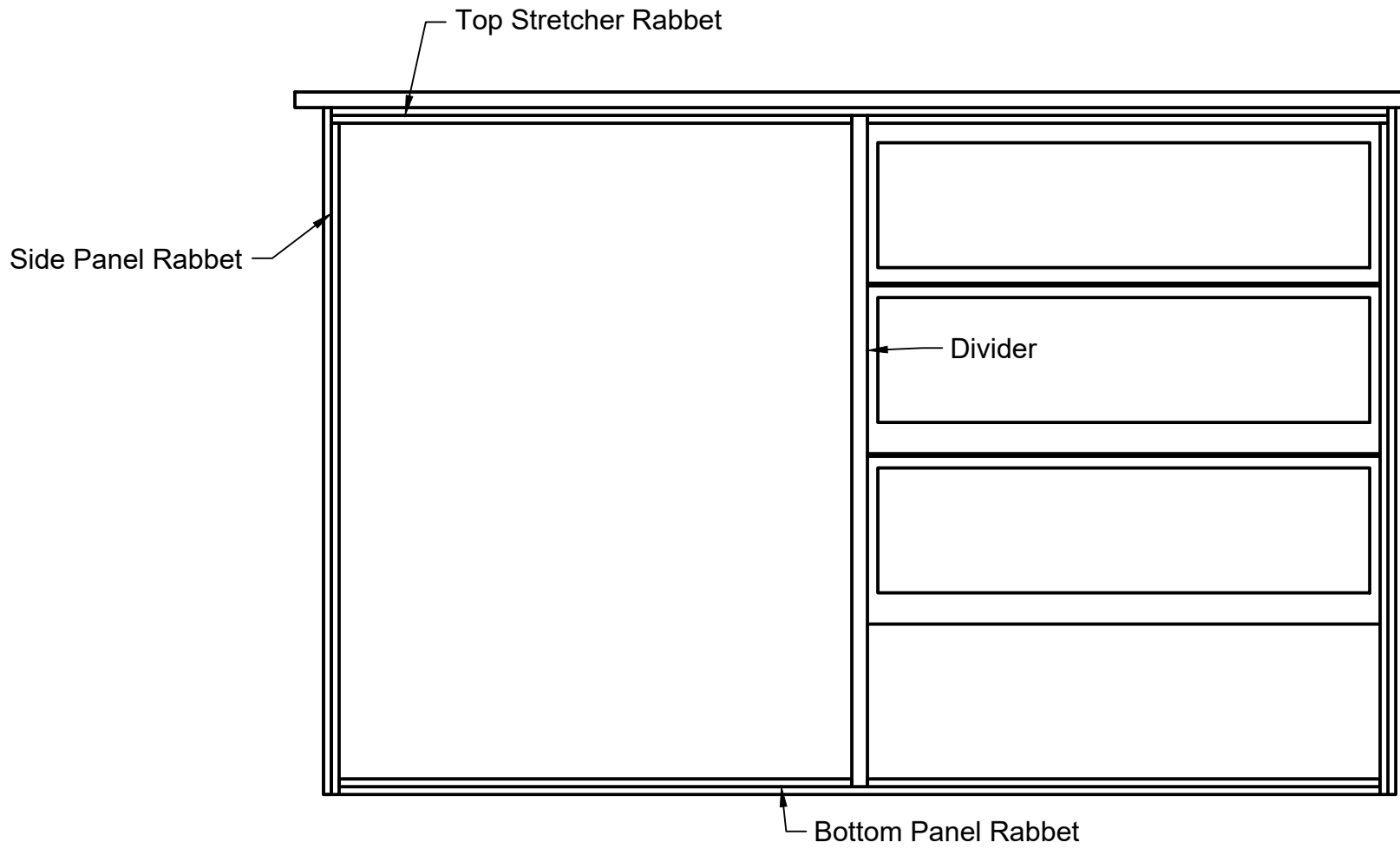




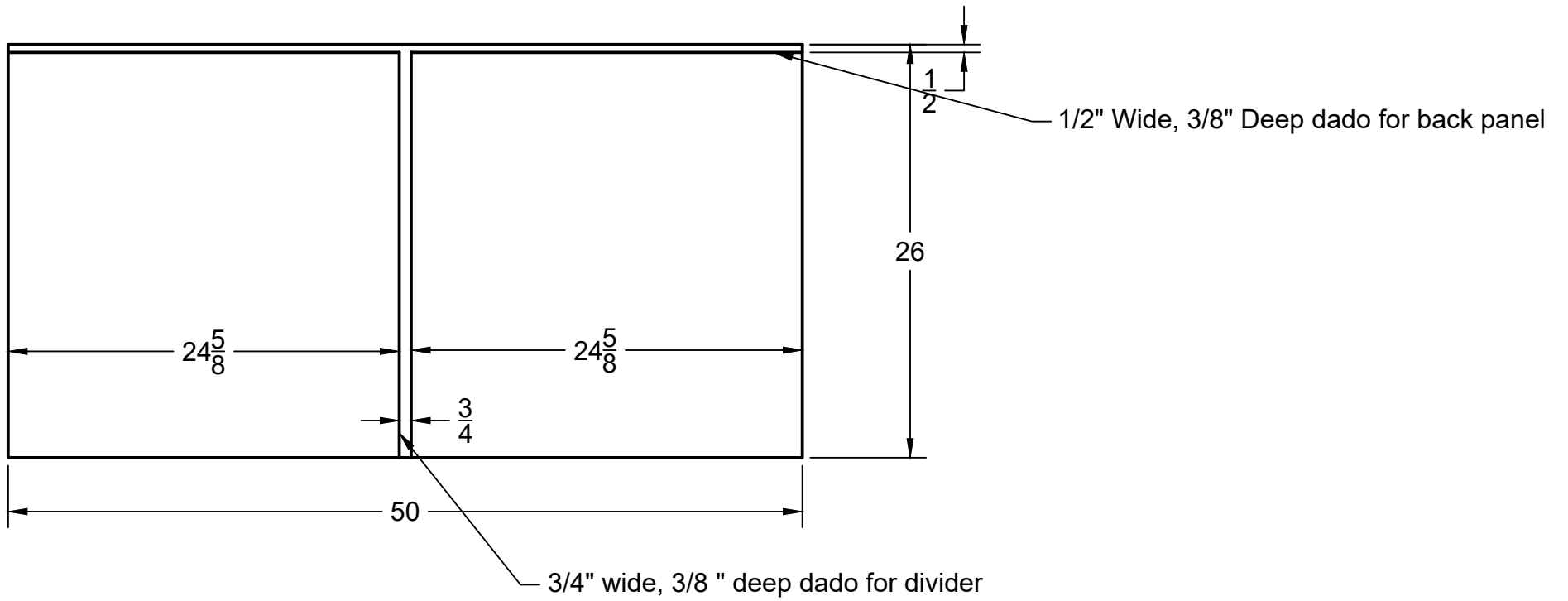
CNC Shop Cabinet



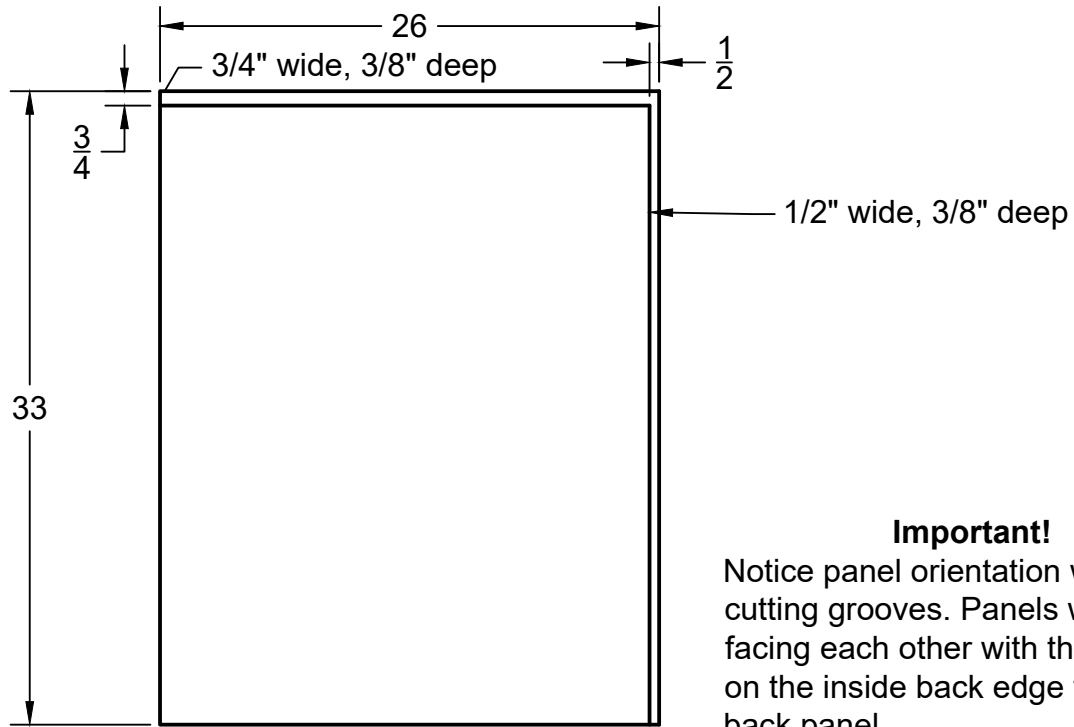
Cabinet Front View



Cabinet Rear View Without Back Panel

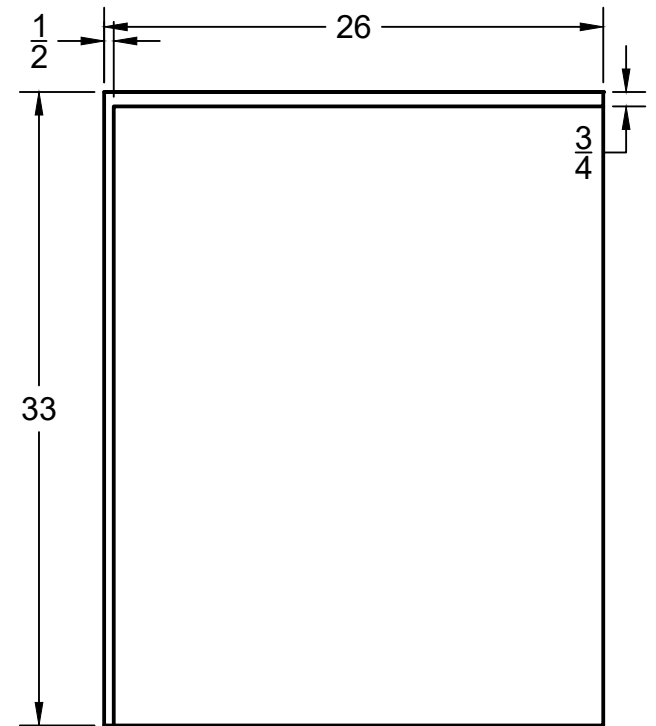


$\frac{3}{4}$ " Bottom Panel

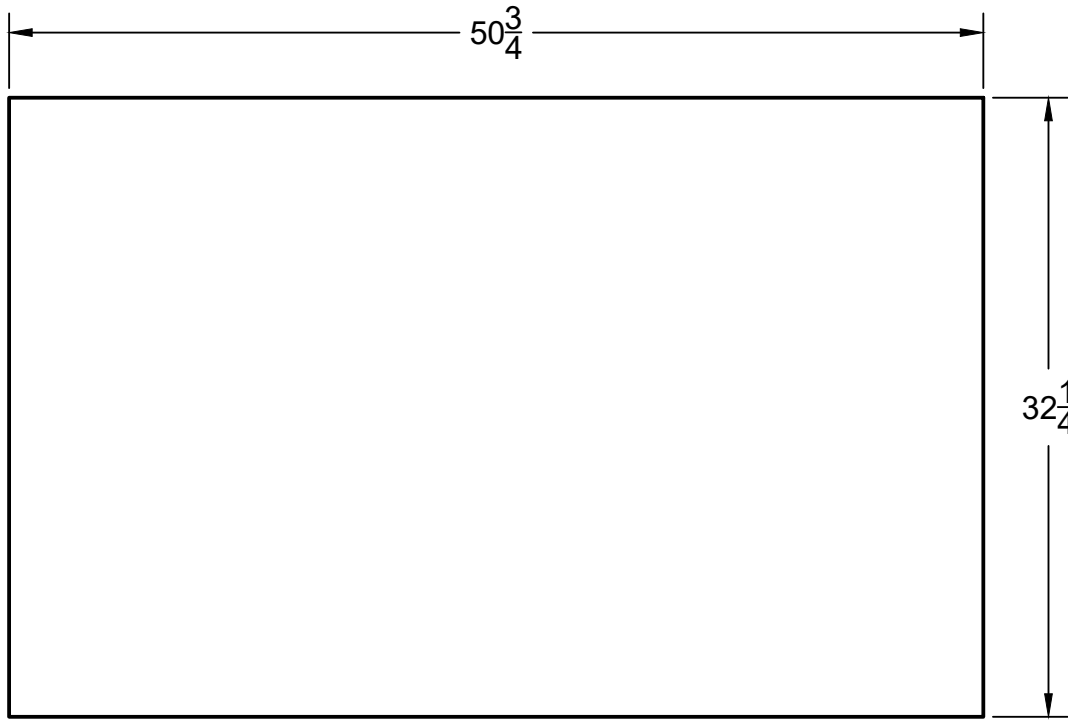


3/4" Left Side Panel

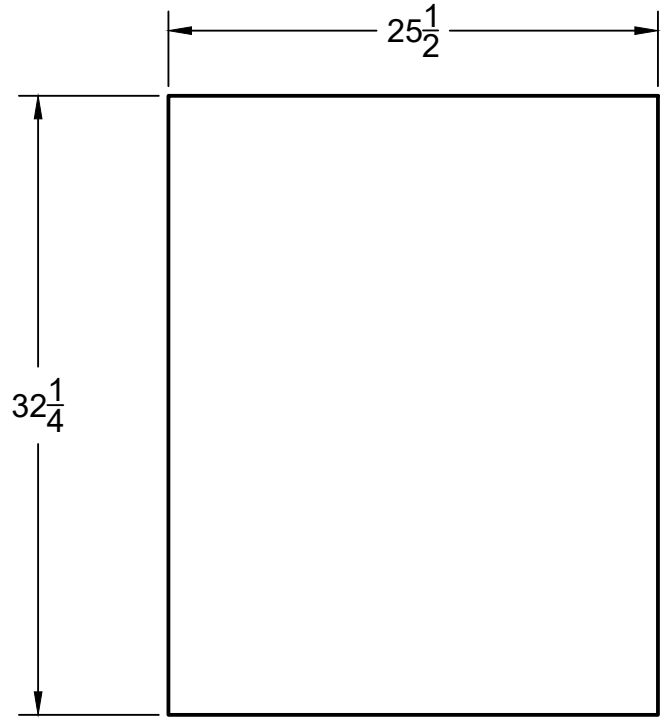
Important!
 Notice panel orientation while cutting grooves. Panels will end up facing each other with the groove on the inside back edge for the back panel.



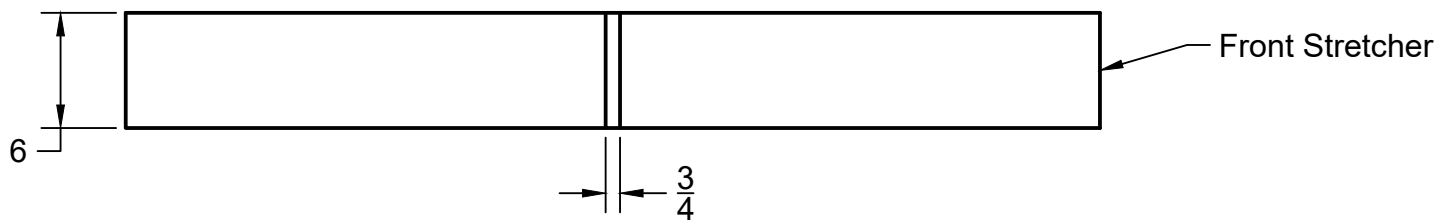
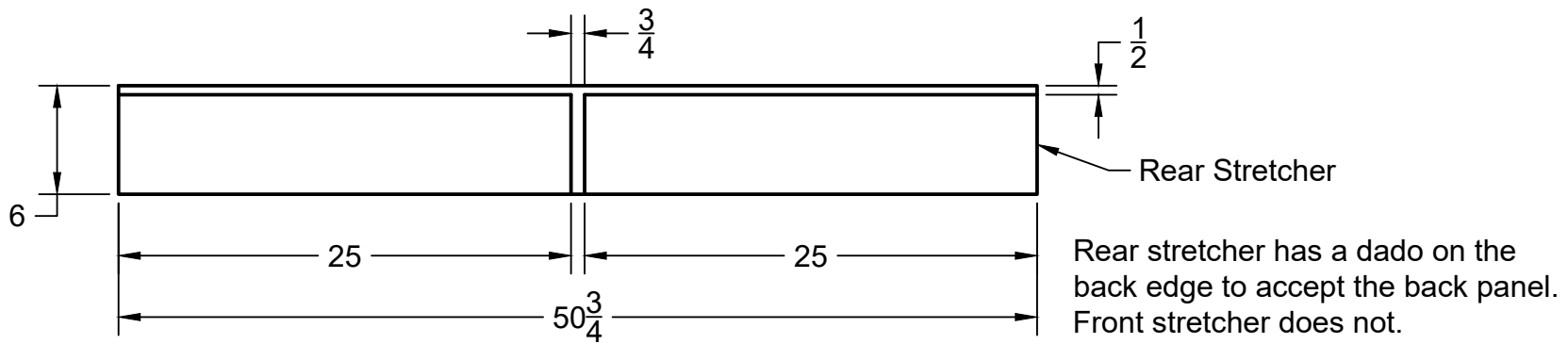
3/4" Right Side Panel



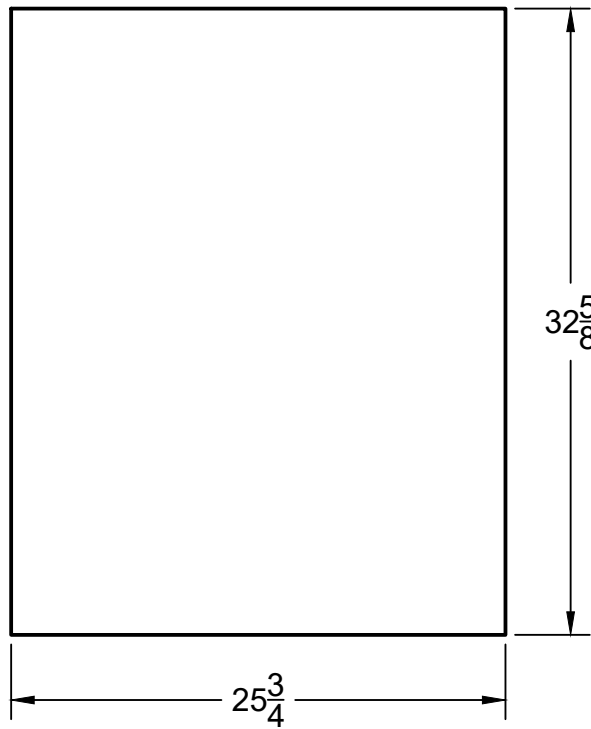
1/2" Back Panel



3/4" Divider



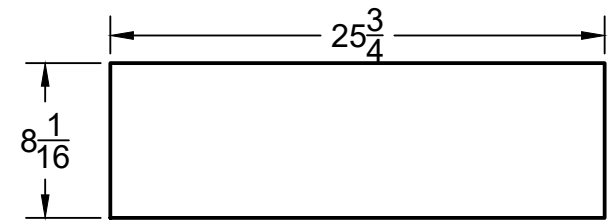
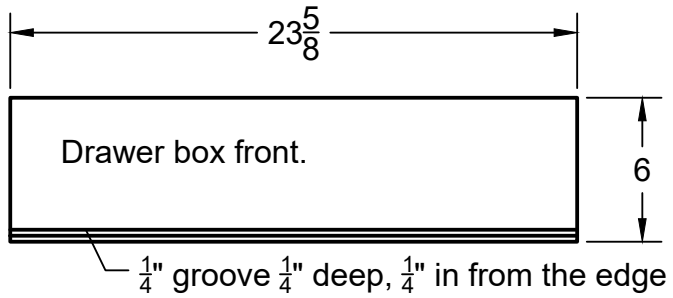
3/4" Top Stretchers (QTY: 2)



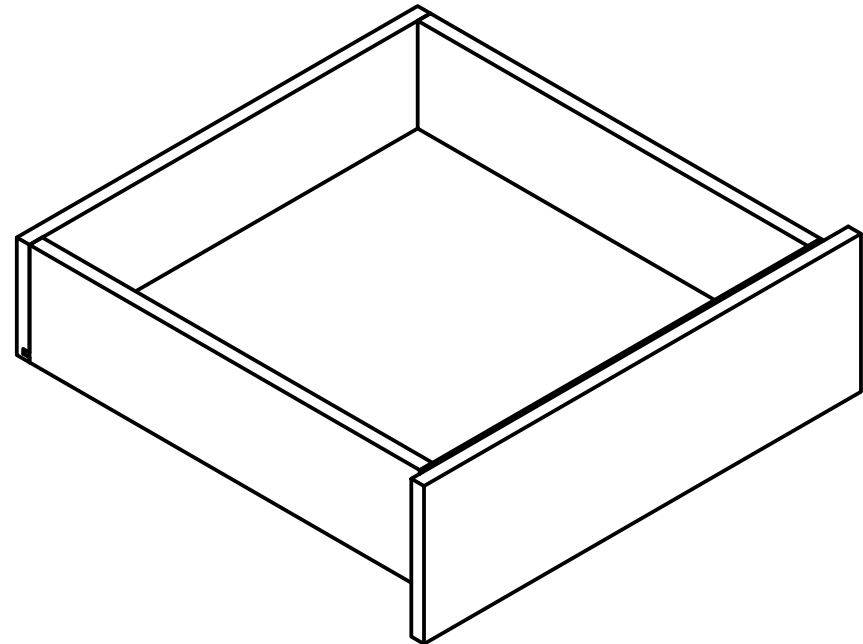
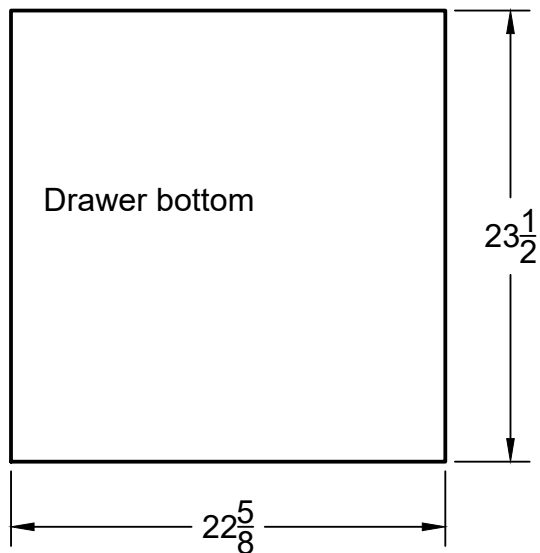
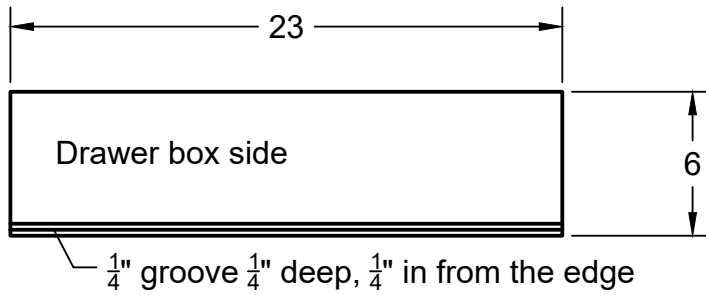
3/4" Door



3/4" Top



3/4" False drawer front.



Drawer Box & False Front